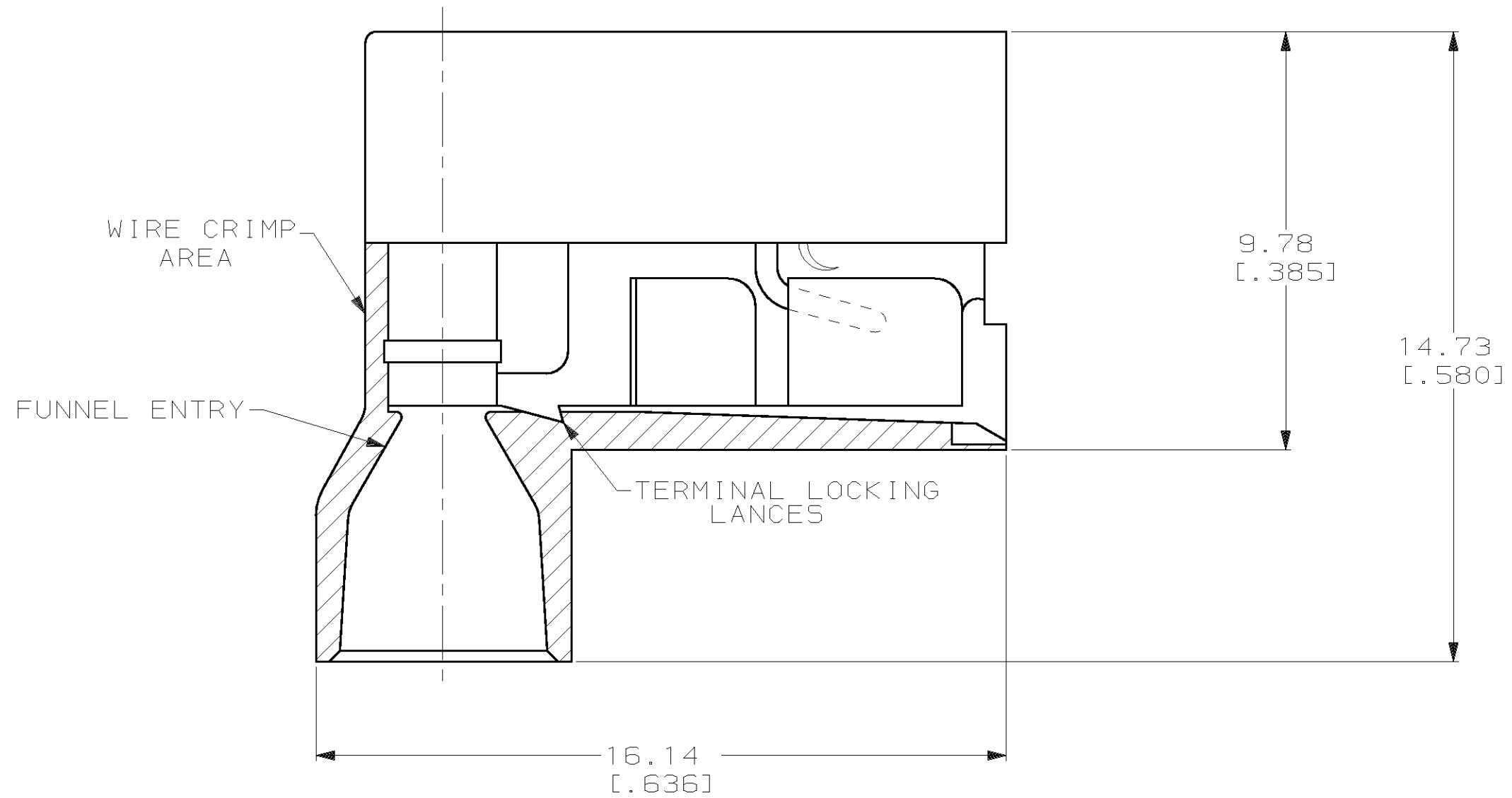
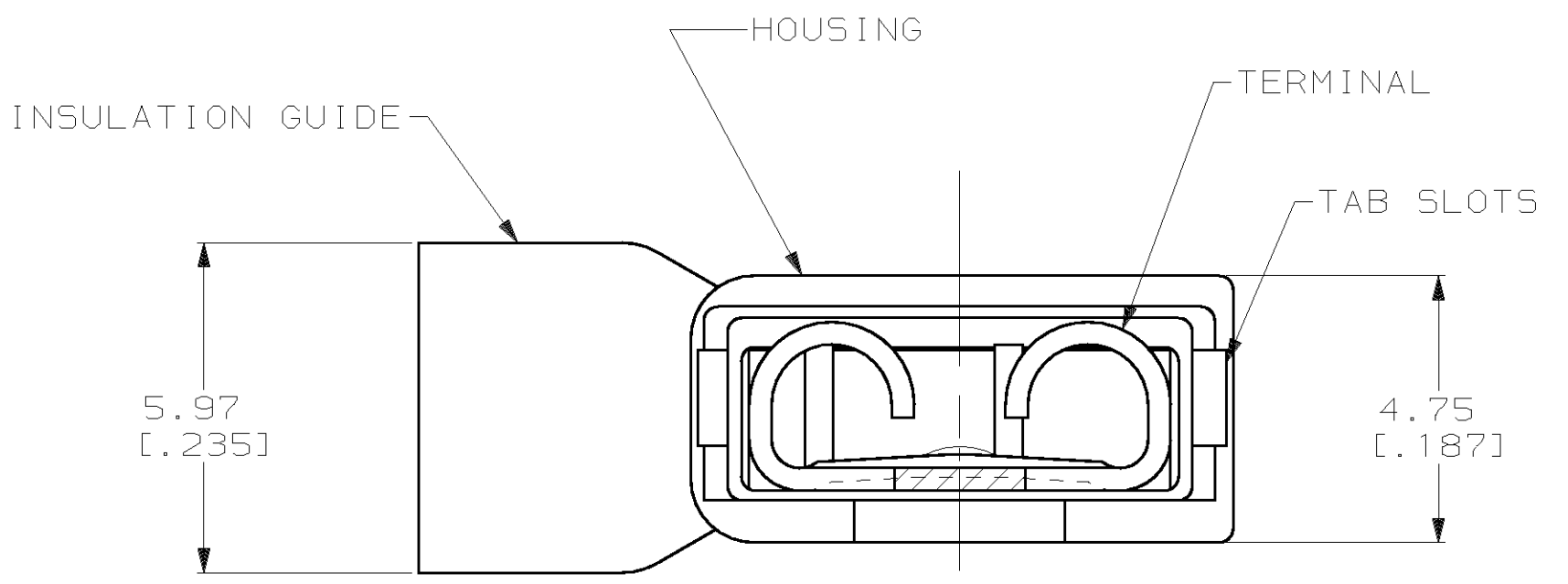
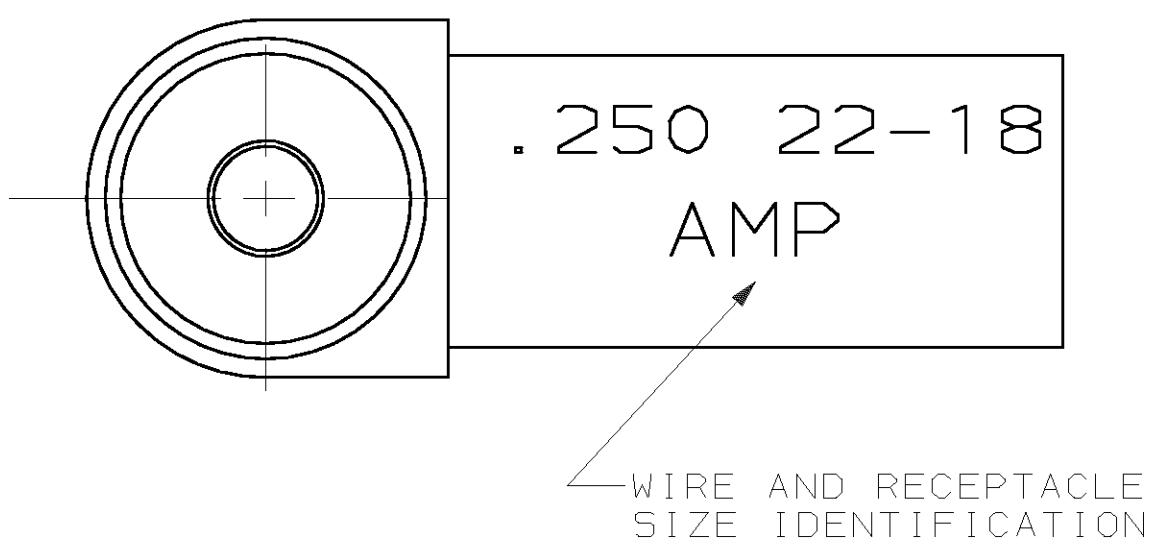


THIS DRAWING IS UNPUBLISHED. RELEASED FOR PUBLICATION
 © COPYRIGHT 19 BY AMP INCORPORATED. ALL INTERNATIONAL RIGHTS RESERVED.

LOC		DIST		ZONE		LTR		REVISIONS		DATE	APPD
AF	50							5	REV PER 0G1A-0149-99	3JUN99	JR/JH



- 1 FITS 0.81±0.025 X 6.35 [.032±.001 X .250] TAB
- 2 WIRE SIZE: 0.3-0.9mm² [22-18 AWG], STRANDED ONLY. STRIP LENGTH 7.94 [.312]
- 3 INSULATION SIZE: 4.19 [.165] MAX DIA.
- 4 SUPPLIED AS LOOSE PIECE.



	TYPE 6/6 NYLON	RED TRANSLUCENT	0.41 [.016] #4H BRASS	TIN	2-520129-2
	MATERIAL	COLOR	MATERIAL	FINISH	PART NO
	HOUSING		TERMINAL		
DO NOT SCALE PRINT. UNLESS SPECIFIED DIMENSIONS IN mm [INCHES] TOLERANCES ON :	DR 10/19/89 P FORTNEY		AMP INCORPORATED Harrisburg, Pa. 17105		
2 PLC DEC ± -	CHK 10/19/89 JR RUTH				
3 PLC DEC ± 0.38 [.015]	APPD 10/19/89 D BRATINA		NAME		
ANGLES ± -	APPD 10/19/89 R KUZO		RECEPTACLE ASSEMBLY, ULTRA-FAST FLAG, 6.35 [.250] SERIES		
MATERIAL	SEE TABLE		PRODUCT SPEC		
			108-2043		
FINISH	SEE TABLE		APPLICATION SPEC		SIZE
			114-2123		CAGE CODE
			WEIGHT -		8:1
					DRAWING NO
					520129
					SHEET
					1 OF 1

